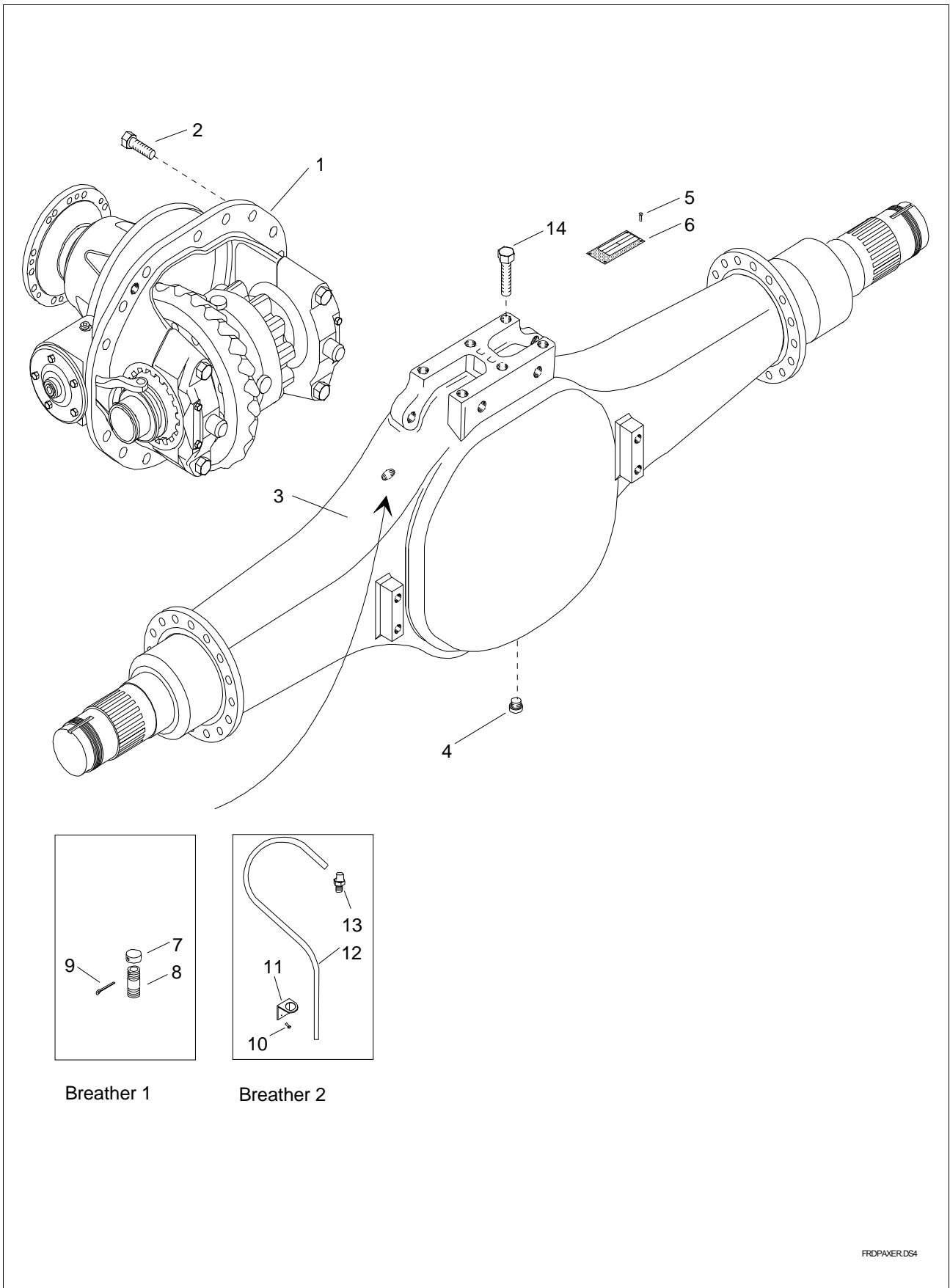


SISU AXLES

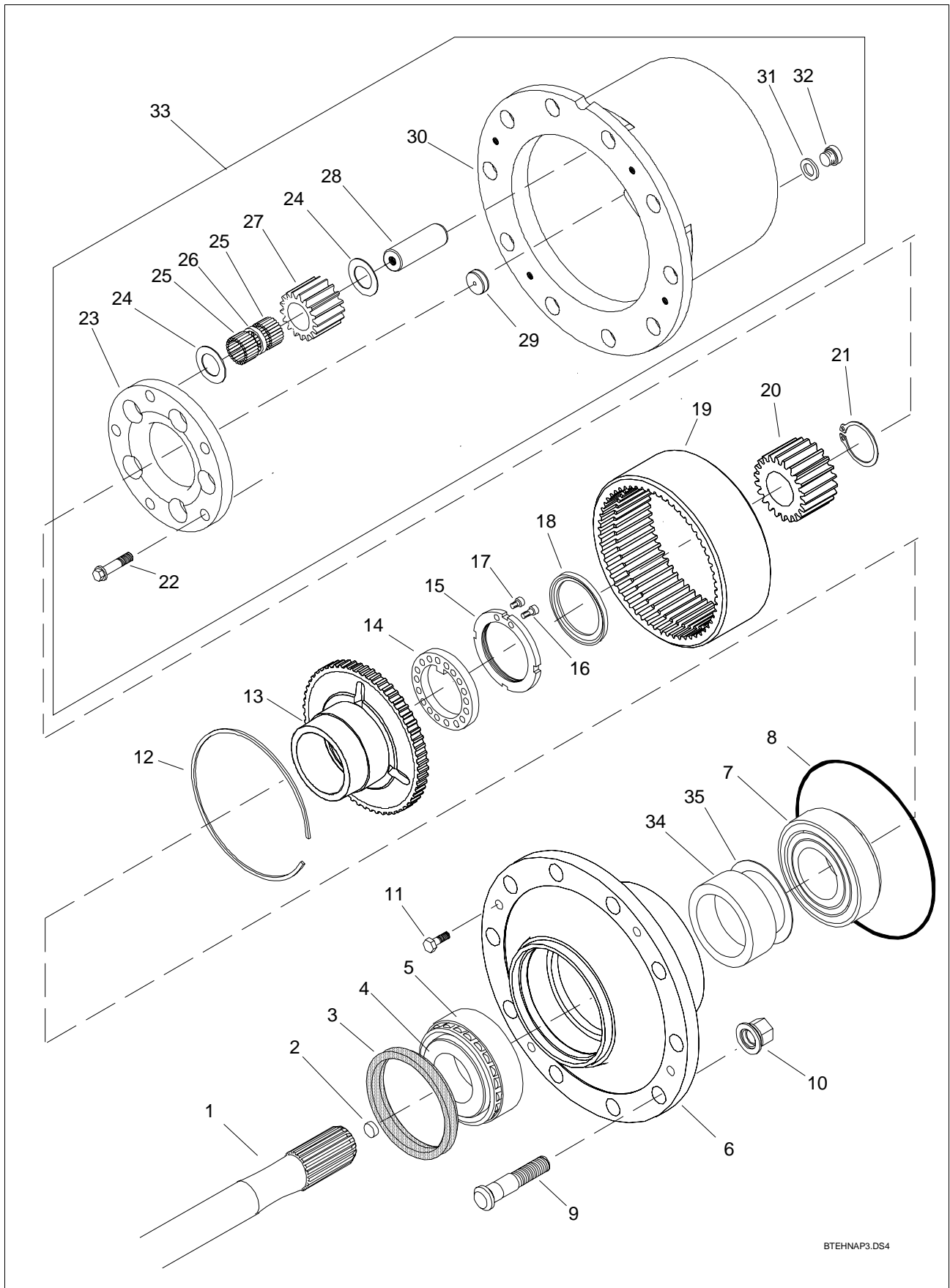
SPARE PARTS BOOK

**Rear Tandem Axle
FRDP
FRDP-11-S
Fabco
Book No. 204 (6/2004)**

Sisu Axles, Inc.
Autotehtaan tie 1
PO Box 189
FIN-13101 Hämeenlinna
Finland
Phone +358 204 55 2999
Fax +358 204 55 2900

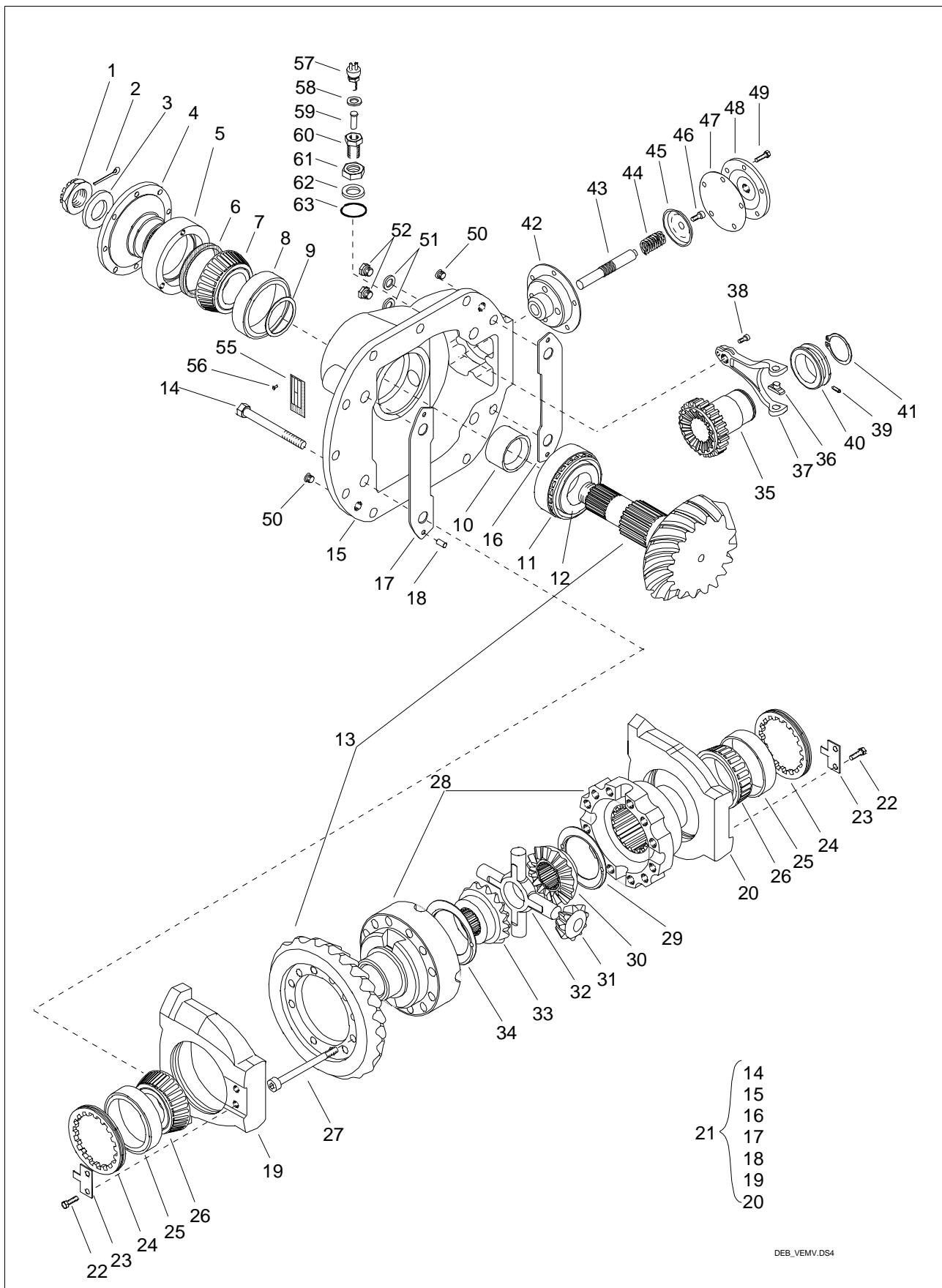


Item	Qty.	Order no.	Description	Note
1	1	543-202-5113	Diff. Carrier Assembly	FR 4.63, flange HS1700/1800
1	1	543-202-5117	Diff. Carrier Assembly	FR=4.63, Splined Yoke 1710 flange
1	1	543-202-5237	Diff. Carrier Assembly	FR=5.54, Splined Yoke 1710 flange
2	11	90303-16407	Hex Screw	
3	1	543-116-4600	Axle Housing	
4	1	90873-22109	Oil plug	M22x1.5, Allen head
4	1	91201-22150	Seal ring	Cu
5	4	90111-29054	Rivet	
6	1	91600-20811	Name plate	
7	1	179-842-0000	Breather Cover	
8	1	179-841-1000	Breather pipe	
9	1	90621-32253	Split pin	
10	2	90111-29054	Rivet	
11	1	143-227-0800	Mounting Plate	
12		95242-06010	Plastic Pipe	
13	1	592422-01603	Hose clamp	
13	1	91978-30901	Binding screw	
14	6	90303-18503	Hex Screw	



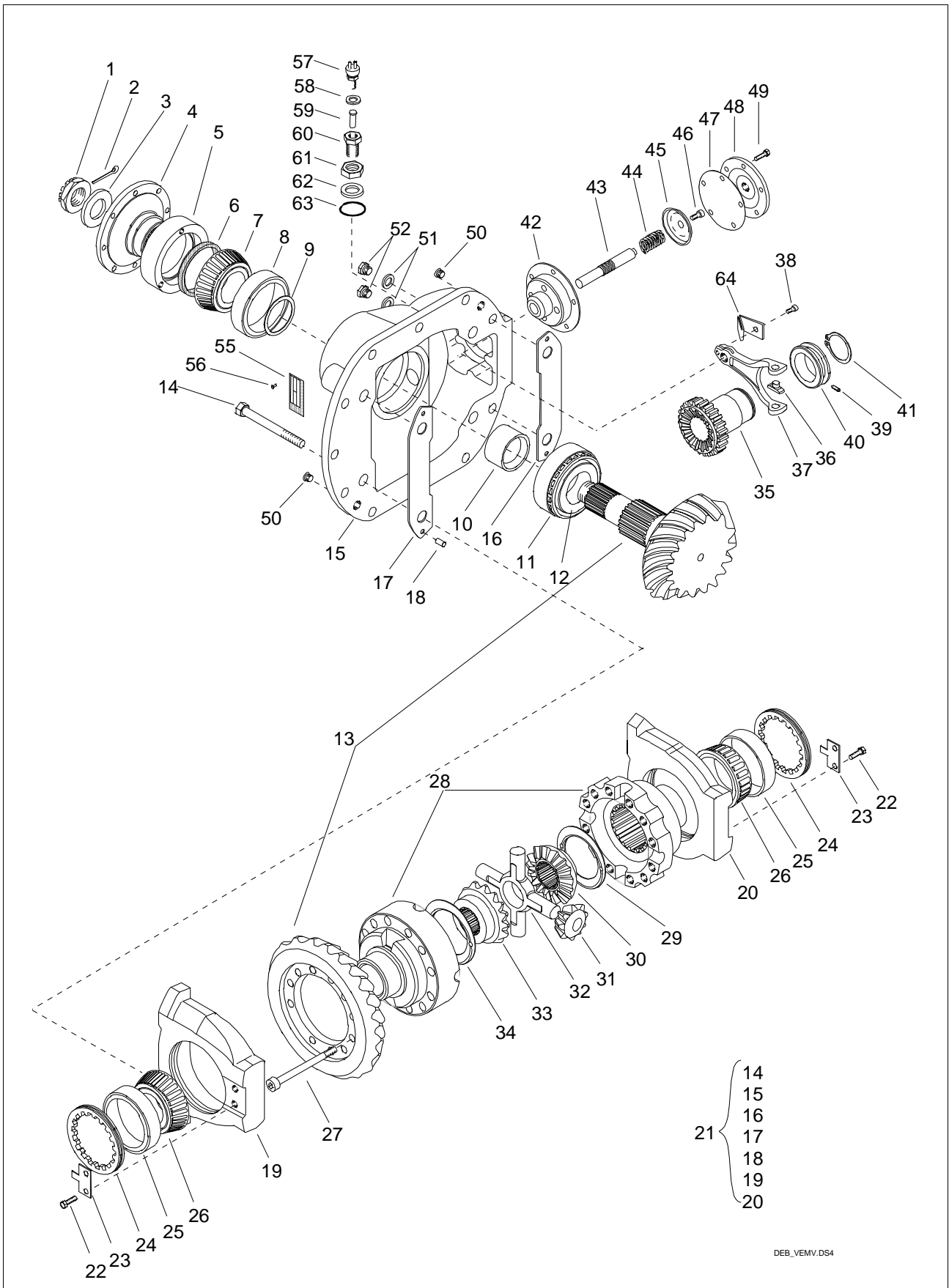
BTEHNAP3.DS4

Item	Qty.	Order no.	Description	Note
1	1	543-511-8000	Axle Shaft	LH, FRMP, W52x2x24, L=1087
1	1	543-511-8010	Axle Shaft	LH, FRFP, W52x2x24, L=1127
1	2	543-511-9310	Axle Shaft	FRDP, W52x2x24, L=1159
1	1	543-511-9400	Axle Shaft	RH, FRMP, W52x2x24, L=1240
1	1	543-511-9900	Axle Shaft	RH, FRFP, W52x2x24, L=1212
2	2	140-125-0100	Thrust pin	
3	2	591122-12702	Shaft seal	127x160, since No. 20577 (4/2002)
3	2	91122-12701	Shaft seal	127x159 (8/1995 -->4/2002)
4	2	090-111-0000	Bearing inner race	
5	2	090-121-5700	Bearing outer race	
6	2	543-411-3510	Wheel hub	With seal 91122-12701
6	2	543-411-3800	Wheel hub	Since No. 20577 (03/2002)
7	2	91744-01201	T. Roller bearing	
8	2	91109-50040	O-ring	D250x4
9	20	140-911-3210	Wheel bolt	L=122
10	20	540-916-1610	Wheel nut	
11	8	90303-10303	Hex Screw	M10x30
12	2	91720-22001	Retainer ring	D220x3
13	2	535-271-0611	Ring gear hub	
14	2	143-418-0510	Lock Washer	
15	2	599-290-8004	Lock Nut	M90x2
16	2	590319-08186	Allen Screw	M8x18
17	2	590319-08126	Allen Screw	M8x12
18	2	090-721-8500	Thrust washer	
19	2	535-261-2110	Ring gear	
20	2	535-211-1300	Sun gear	N52x2x24
21	2	91711-05200	Retainer ring	D52x2
22	10	590169-01670	Special screw	
23	2	535-231-1300	Planet carrier	Up to No. 10373 (1/2001)
23	2	535-231-1310	Planet carrier	Since No. 10374 (1/2001)
24	20	590-353-1100	Spacer plate	
25	480	91385-50240	Needle roller	D5x23.8
26	10	590-354-3100	Spacer ring	
27	10	535-241-1310	Planet gear	
28	10	535-251-1400	Planet gear shaft	Up to No. 10373 (1/2001)
28	10	535-251-1410	Planet gear shaft	Since No. 10374 (1/2001)
29	2	540-125-0310	Thrust pin	
30	2	541-471-0301	Hub Housing	
31	2	91201-22150	Seal ring	D22/27x1.5 Cu
32	2	90871-22193	Plug screw	M22x1.5, hex head
33	2	541-404-0151	Planetary gear	
34	2	543-416-0400	Spacer ring	L=44 mm
35	ar	590731-09510	Shim	s= 0.1 mm
35	ar	590731-09515	Shim	s= 0.15 mm
35	ar	590731-09520	Shim	s= 0.2 mm
35	ar	590731-09550	Shim	s= 0.5 mm

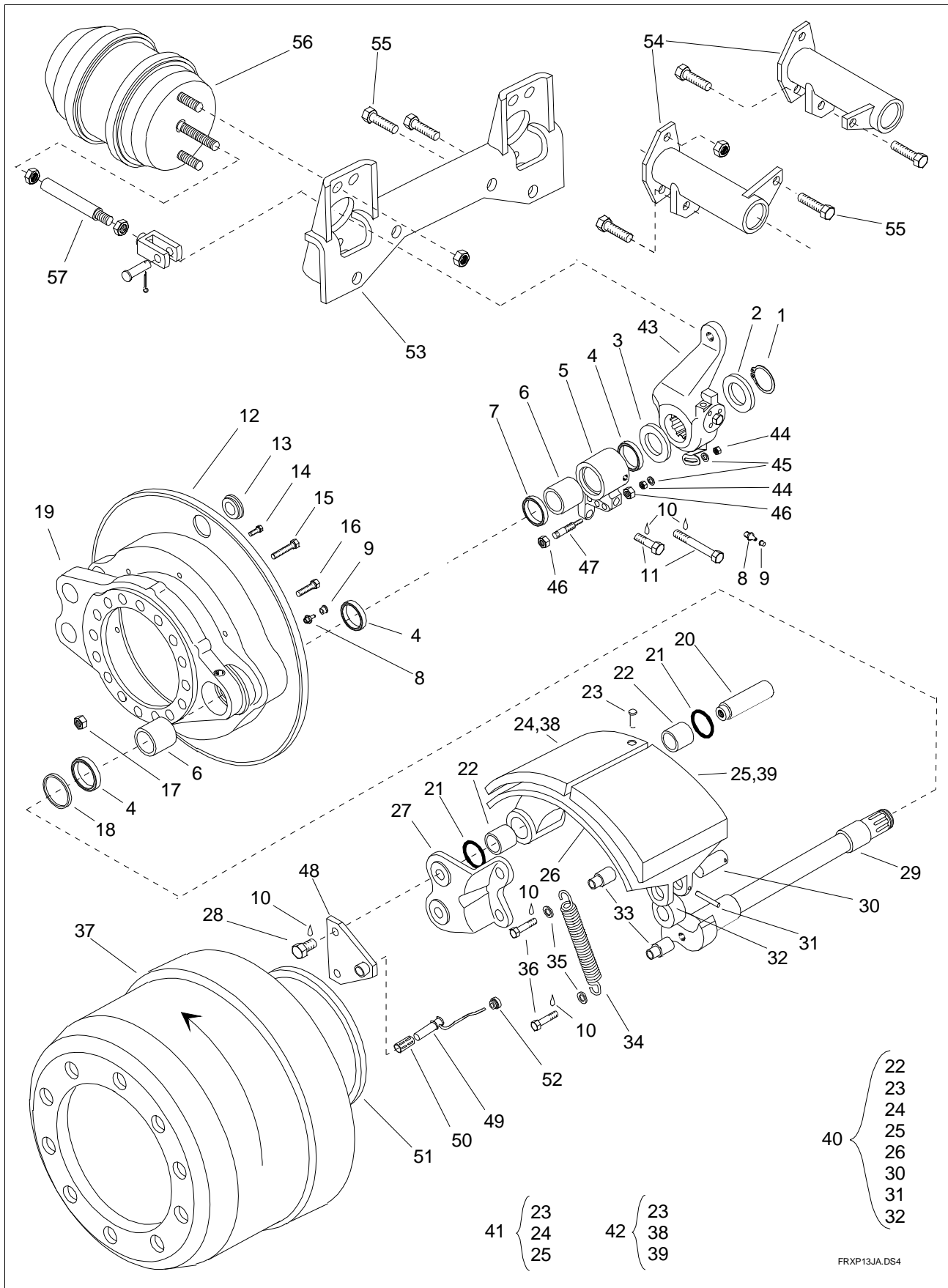


DEB_VEMV.DS4

Item	Qty.	Order no.	Description	Note
1	1	099-233-3000	Nut	
2	1	90621-04503	Split pin	
3	1	90705-33043	washer	
4	1	138-916-1810	Flange	1600 S
4	1	138-917-2400	Flange	HS1700/1800
4	1	138-946-0100	Flange	DIN 165
4	1	538-967-0200	End Yoke	Splined Yoke 1710
5	1	143-234-0210	Seal housing	
6	1	090-500-6501	Shaft seal	
7	1	090-110-5150	Bearing inner race	
8	1	090-121-1310	Bearing outer race	
9	ar	099-515-1066	Spacer ring	(s=0.3 mm)
9	ar	099-515-1067	Spacer ring	(s=0.4 mm)
9	ar	099-515-1068	Spacer ring	(s=0.5 mm)
10	ar	143-261-0111	Spacer ring	(l=30.20 mm)
10	ar	143-261-0113	Spacer ring	(l=30.24 mm)
10	ar	143-261-0115	Spacer ring	(l=30.28 mm)
11	1	090-121-2400	Bearing outer race	
12	1	090-110-6600	Bearing inner race	
13	1	143-240-4411	Ring and pinion gear set	22/28, FR 4.63
13	1	143-240-4841	Ring and pinion gear set	17/26, Final Ratio 5.56
13	1	543-240-4821	Ring and pinion gear set	16/28, FR 6.36
13	1	543-240-6841	Ring and pinion gear set	21/32, välityssuhde 5.54, FRDP
14	4	90311-20218	Allen Screw	
15	1	143-211-1480	Diff. Carrier Housing	Not serviced separately
16	ar	144-239-1710	Shim	(s=1.00 mm)
16	ar	144-239-1711	Shim	(s=0.50 mm)
16	ar	144-239-1712	Shim	(s=0.20 mm)
16	ar	144-239-1713	Shim	(s=0.10 mm)
17	ar	144-239-1800	Shim	(s=1.00 mm)
17	ar	144-239-1801	Shim	(s=0.50 mm)
17	ar	144-239-1802	Shim	(s=0.20 mm)
17	ar	144-239-1803	Shim	(s=0.10 mm)
18	4	590604-08141	Pin	Ø8x14
19		143-217-0080	Bearing housing	Not serviced separately
20		143-217-0180	Bearing housing	Not serviced separately
21	1	143-210-1311	Differential Carrier	
22	4	90303-08103	Hex Screw	
23	2	143-227-0202	Lock Washer	
24	2	143-226-1100	Adjusting nut	
25	2	090-121-3200	Bearing outer race	
26	2	090-110-7610	Bearing inner race	
27	12	90311-16908	Allen Screw	
28	1	543-310-1641	Diff. case assy	
29	1	143-356-0310	Thrust washer	
30	1	543-351-4410	Side gear	
31	4	143-341-1600	Pinion gear	
32	1	143-331-1601	Spider	
33	1	543-351-4400	Side gear	
34	1	090-356-7000	Thrust washer	



Item	Qty.	Order no.	Description	Note
35	1	544-341-2200	Sliding Gear	
36	2	133-348-0710	Sliding shoe	
37	1	544-751-1600	Control fork	
38	1	90313-06208	Allen Screw	
39	1	90335-05108	Stopping screw	
40	1	544-348-0100	Sliding ring	
41	1	91711-06000	Retainer ring	60x2
42	1	144-732-0200	Shaft housing	
43	1	172-212-1410	Sliding Shaft	
44	1	097-122-0100	Return spring	
45	1	172-361-0410	Push plate	
46	1	90319-08206	Screw	
47	1	172-351-1202	Membrane	
48	1	172-161-0700	Membrane cover	M18x1.5
48	1	172-161-0701	Membrane cover	M16x1.5
49	5	90303-08303	Hex Screw	
50	2	91425-13120	Shield plug	
51	2	91201-22150	Seal ring	
52	2	90871-22193	Plug screw	
55	1	91600-20811	Name plate	
56	4	90111-29054	Rivet	
57	1	186-490-0281	Signal Lamp Switch	
58	1	91201-12150	Seal ring	
59	1	141-812-0100	Control pin	
60	1	141-812-0000	Binding screw	
61	1	91842-18243	Lock Nut	
62	1	91838-18010	Pressure ring	
63	1	91838-18100	O-ring	
64	1	141-812-0010	Guide plate	



Item	Qty.	Order no.	Description	Note
1	2	91712-04000	Retainer ring	D40x2.5
2,3	4	91726-43065	Support ring	D43/65x3
4	6	91122-04201	Shaft seal	D42/55x8
5	1	146-224-2310	Bearing housing	RH
5	1	146-224-2400	Bearing housing	LH
6	4	590-314-2062	Sleeve	
7	2	91122-04202	Shaft seal	D42/55x7
8	4	91402-10003	Grease nipple	M10x1, Straight
9	4	91421-06060	Shield hat	
10		95752-10010	Thread locking compound	
11	2	90301-16117	Hex Screw	M16x100
11	2	90303-16407	Hex Screw	M16x40
12	2	146-131-2210	Dust Shield	210 mm
13	4	095-553-2000	Shield plug	
14	14	90303-08123	Hex Screw	M8x12
15	24	90169-01401	Hex Screw	M14x45
16	4	90301-14558	Hex Screw	M14x55
17	28	90550-14227	Nut	M14 self locking
18	2	91726-43065	Support ring	D43/65x3
19	2	146-111-2610	Brake Bracket	
20	4	146-341-1210	Anchor bolt	
21	8	91106-36212	O-ring	D36,2x3 Viton
22	8	590-313-2091	Sleeve	
23	96	91501-00819	Rivet	
26	4	146-351-4100	Brake shoe	210 mm
27	2	146-331-0400	Anchor support	
28	4	90303-10203	Hex Screw	M10x20, Without ABS
28	4	90303-10303	Hex Screw	M10x30, With ABS
29	1	146-213-1000	S-cam shaft	RH, L=629.5 mm, FRFP
29	1	146-213-1100	S-cam shaft	LH, L=629.5 mm, FRFP
29	1	546-213-2000	S-cam shaft	RH, L=604.5 mm, FRMP & FRDP
29	1	546-213-2100	S-cam shaft	LH, L=604.5 mm, FRMP & FRDP
30	4	146-373-0201	Pin	
31	4	90602-05450	Spring cotter	D5x40
32	4	146-371-0700	Roller	
33	6	599-601-8900	Bush	
34	4	92052-30002	Return spring	
35	6	90705-13023	washer	D13/24x2.5
36	6	90303-12603	Hex Screw	M12x60
37	2	146-311-7910	Brake drum	
40	4	546-306-0083	Brake shoe assy	210mm, Beral1561
41	ar	546-360-3113	Brake lining set	210mm, Beral1561, for one wheel
43	1	146-530-1011	Slack adjuster	RH, R145, offset 56
43	1	146-530-1021	Slack adjuster	LH, R145, offset 56
43	1	546-530-3111	Slack adjuster	LH, 165 mm, offset 56, FRFP
43	1	546-530-3121	Slack adjuster	RH, 165 mm, offset 56, FRFP
43	1	546-530-3411	Slack adjuster	RH, R165, offset 75, FRMP & FRDP
43	1	546-530-3421	Slack adjuster	LH, R165, offset 75, FRMP & FRDP
44	4	90502-08133	Nut	M8
45	4	90705-08423	washer	D8.4/17x1.6
46	4	90502-12193	Nut	M12
47	2	90177-01203	Stud bolt	M12/M8
48	2	189-931-0900	Bracket	ABS
49	2	189-250-0071	Sensor	ABS
50	2	189-295-0000	Bush	ABS
51	2	189-291-0000	Ring gear	100 Teeth, ABS
52	2	592235-17041	Rubber bushing	D4/17
53	1	546-721-6600	Chamber bracket	20 deg., c/c 340, 145 mm, FRFP
53	1	546-721-6800	Chamber bracket	17 deg., c/c 390, 145 mm, FRMP & FRDP
54	1	546-721-6500	Chamber bracket	RH, 17 deg. for 165 mm slack adjuster
54	1	546-721-6510	Chamber bracket	LH, 17 deg. for 165 mm slack adjuster
54	1	546-721-6900	Chamber bracket	RH, 13 deg. for 165 mm slack adjuster
54	1	546-721-6910	Chamber bracket	LH, 13 deg. for 165 mm slack adjuster
55	4	90303-16407	Hex Screw	M16x40, 10.9